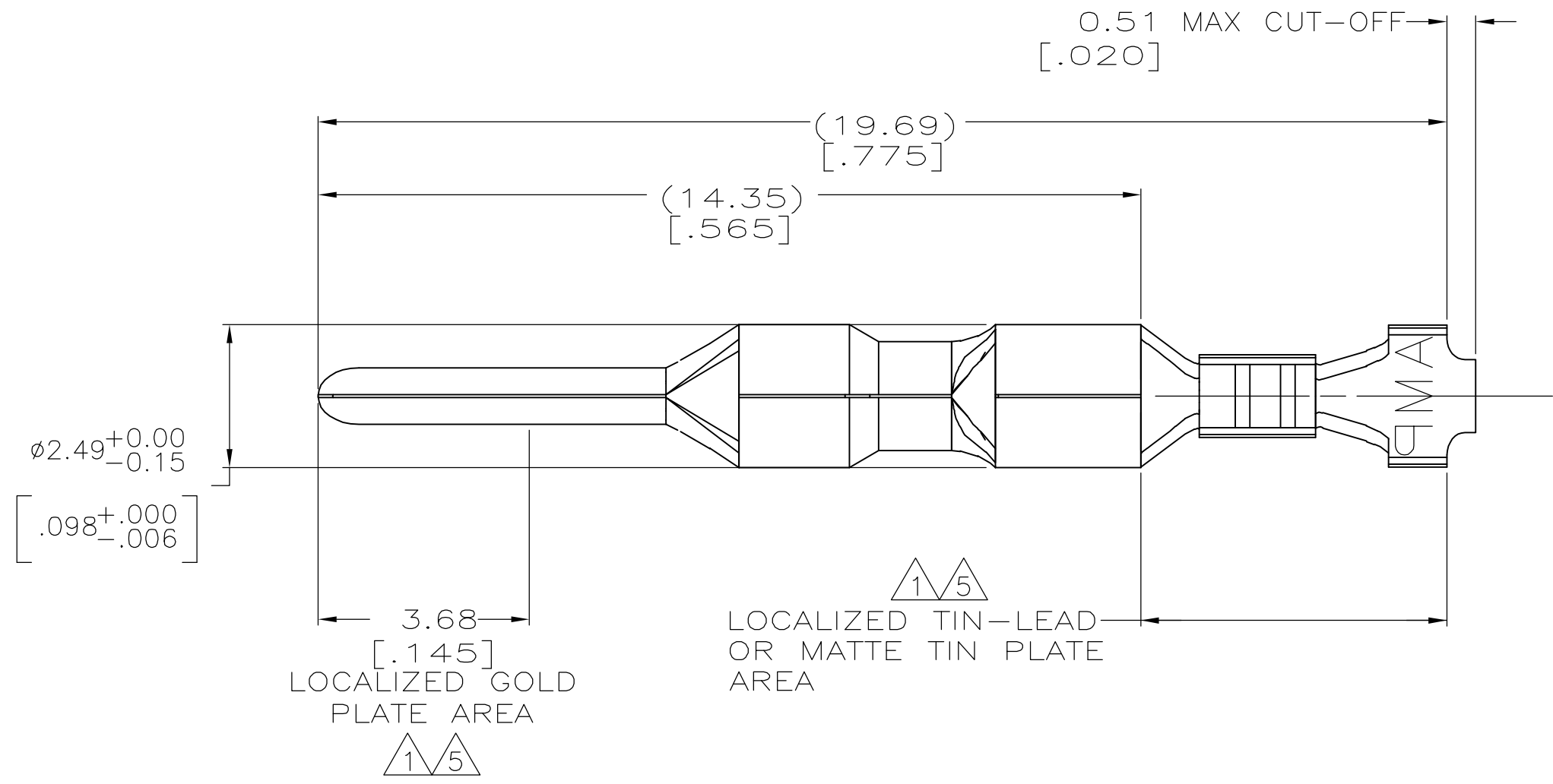
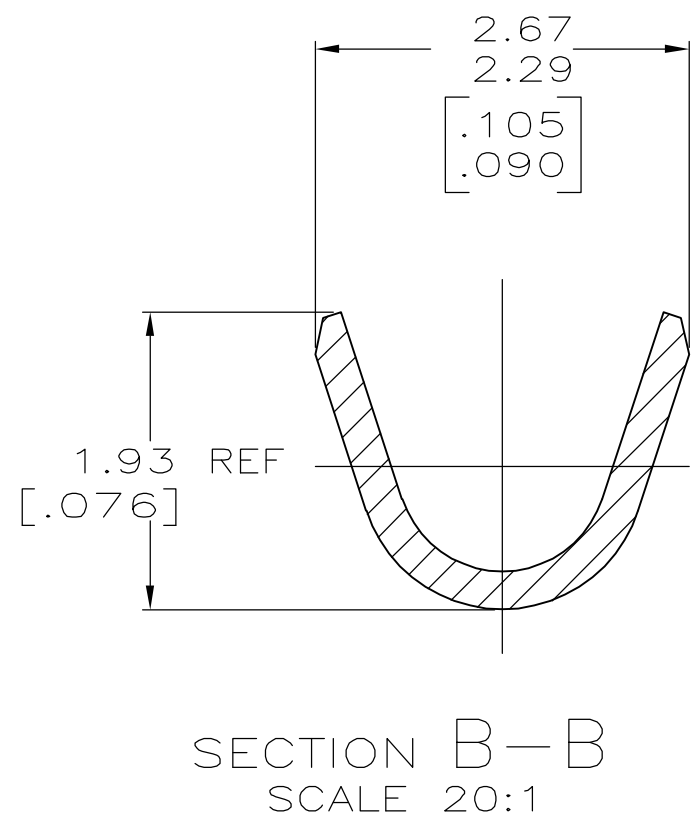
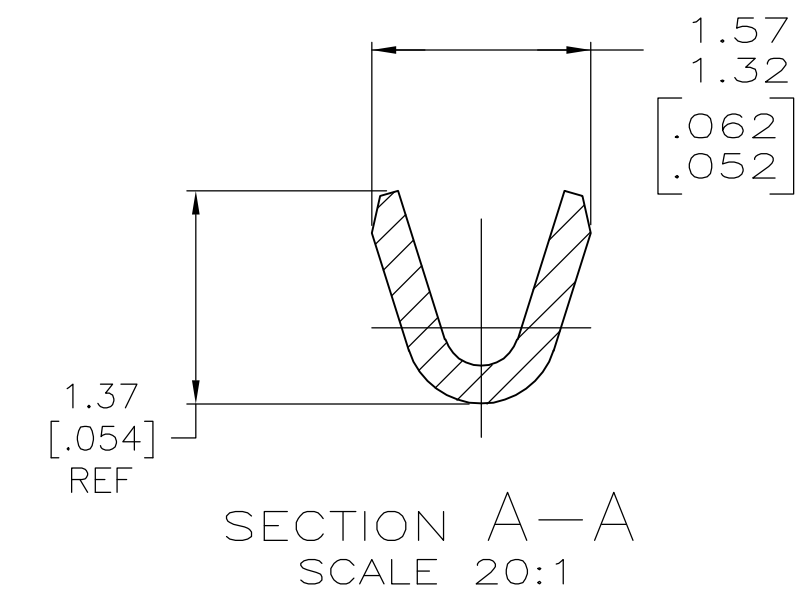
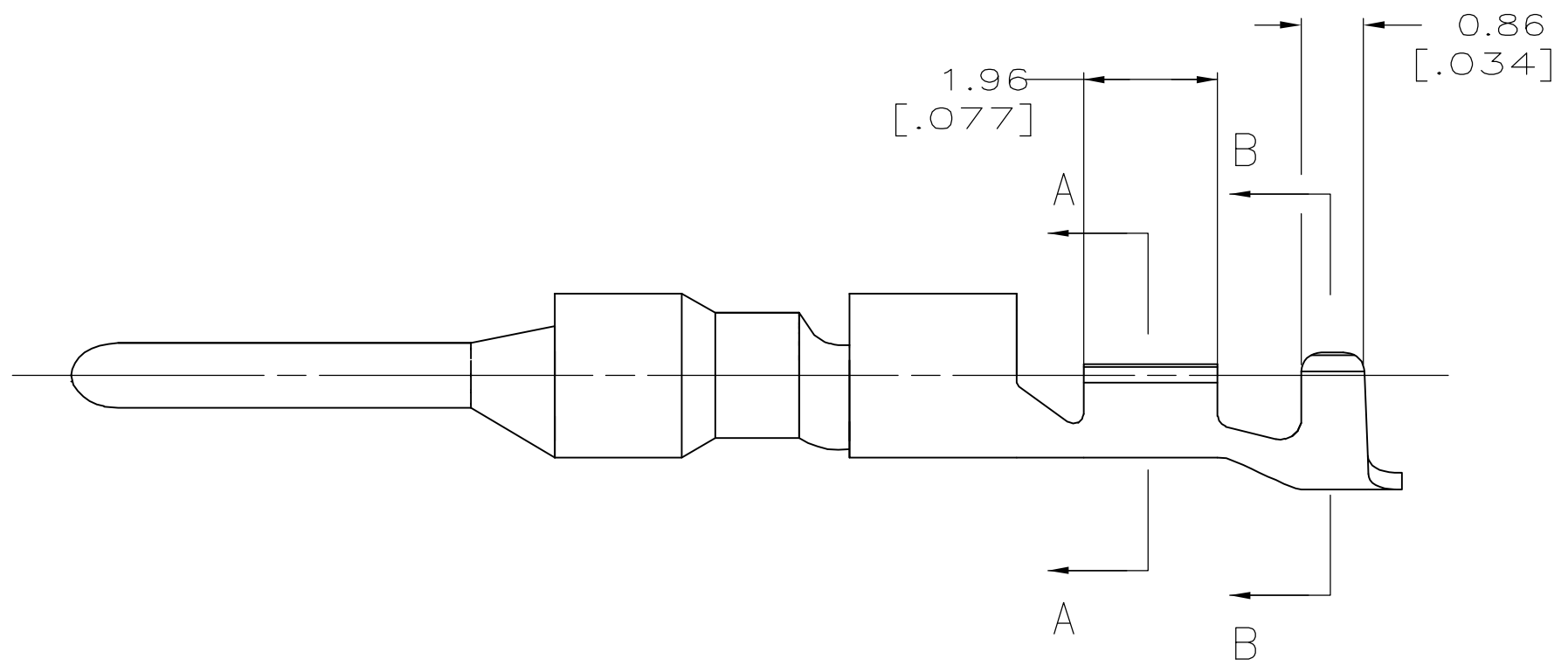


THIS DRAWING IS UNPUBLISHED. RELEASED FOR PUBLICATION
 © COPYRIGHT BY TYCO ELECTRONICS CORPORATION. ALL RIGHTS RESERVED.

LOC	DIST	REVISIONS					
CM	0	P	LTR	DESCRIPTION	DATE	DWN	APVD
		D		REVISED PER 0G3B-0237-05	9/20/05	SS	CJ



- 1. 0.00076 [.000030] MIN GOLD IN LOCALIZED GOLD PLATE AREA AND 0.00254 [.000100] MIN BRIGHT TIN-LEAD IN LOCALIZED TIN-LEAD PLATE AREA OVER 0.0013 [.000050] MIN NICKEL.
- 2. WIRE RANGE: 0.05 - 0.15MM² (30-26 AWG).
- 3. INSULATION RANGE: 0.89-1.27 [.035-.050] DIA.
- 4. DIMENSIONS IN BRACKETS ARE IN INCHES.
- 5. 0.00076 [.000030] MIN GOLD IN LOCALIZED GOLD PLATE AREA AND 0.00254 [.000100] MIN MATTE TIN IN LOCALIZED TIN PLATE AREA OVER 0.0013 [.000050] MIN NICKEL.



5	0.25 [.010] BRASS	1-794224-0
1	0.25 [.010] BRASS	794224-3
PRE-TIN	0.25 [.010] BRASS	794224-1
MATERIAL	MATERIAL	PART NUMBER

THIS DRAWING IS A CONTROLLED DOCUMENT.

DIMENSIONS: mm [INCHES]	TOLERANCES UNLESS OTHERWISE SPECIFIED:	DWN R. VESTAL 1-15-97	CHK R. SWING 1-15-97	APVD -	NAME
	0 PLC ± -	Tyco Electronics Corporation			PIN, LOOSE PIECE, MINI UNIVERSAL MATE-N-LOK 2
	1 PLC ± -	Harrisburg, PA 17105-3608			
	2 PLC ± -	PRODUCT SPEC	SIZE CAGE CODE DRAWING NO RESTRICTED TO		
	3 PLC ± 0.15 [.006]	APPLICATION SPEC	A2 00779 C=794224		
	4 PLC ± -	FINISH	WEIGHT -	SCALE 10:1	SHEET 1 of 1
MATERIAL SEE TABLE	SEE TABLE	FINISH	WEIGHT -	SCALE 10:1	REV D

794224